



Manufacture

## How To Measure Data Sheet

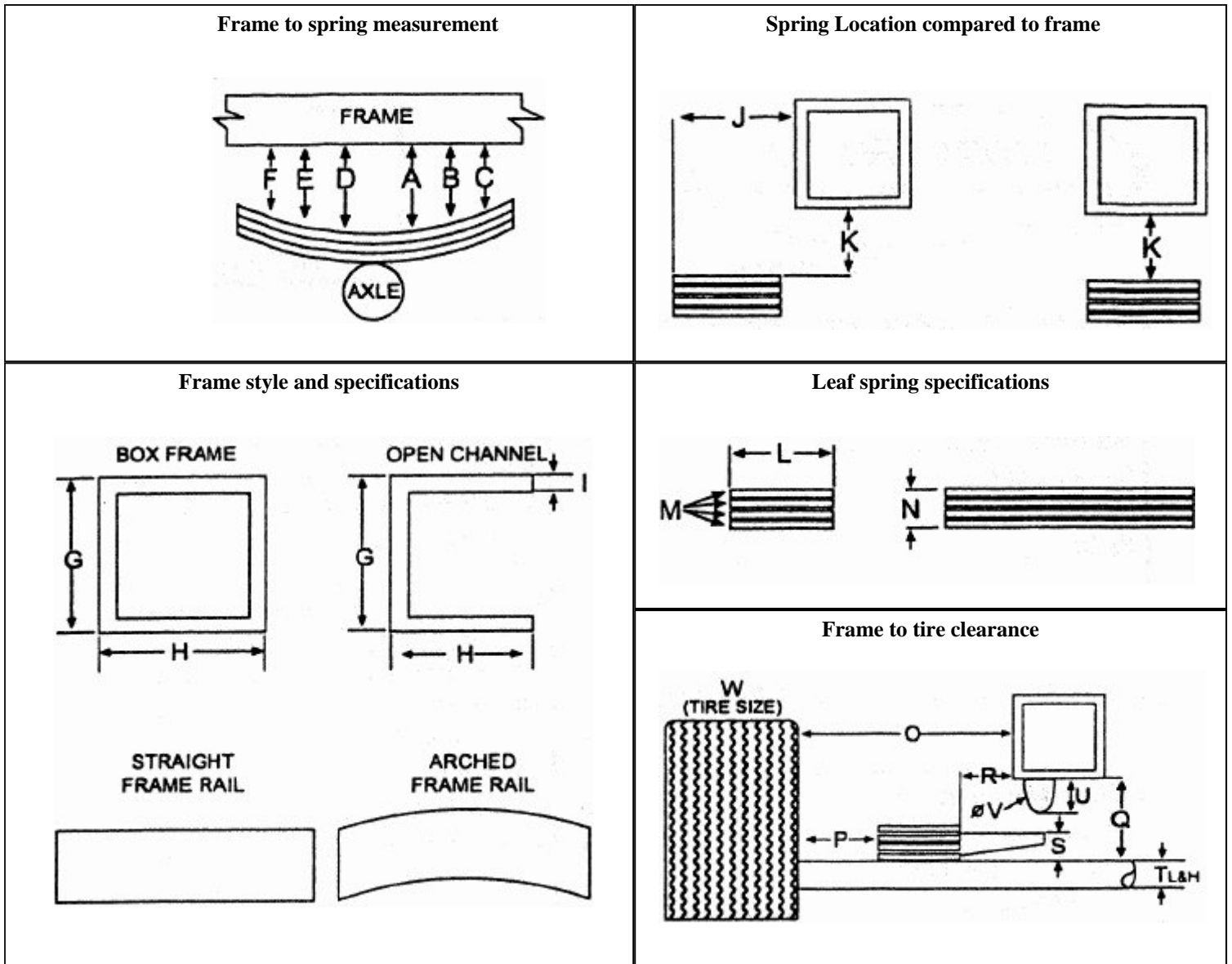
VEHICLE DATA		
Manufacture: _____	Date: _____	
Model Year: _____	Checked by: _____	
Model: _____	Photos: _____	
Style: _____	Style: _____	
<p>2wd                      4wd</p> <p>Single Rear Wheel    Dual Rear Wheel</p>		
Owner: _____	<b>PARTS USED FOR TRIAL</b>	
Vehicle Location _____	Upper Bracket: _____	
Mileage: _____	Upper Brace: _____	
Type of suspension	Heat Shield: _____	
Front: _____	Air Spring: _____	
Rear: _____	Lower Bracket: _____	
	Lower Brace: _____	
	Bracket Strap/Clamp: _____	
	Misc. Parts: _____	
	_____	
	_____	
Layout and Notes:		
-See Back Page-		

Unit 626 Kilshane Ave, North West Business Park, Ballycoolin, Dublin 15, Ireland

Tel: +353 1 8612 632

Fax: +353 1 8612 647

Web: [www.driveriteltd.com](http://www.driveriteltd.com)



Dimensions			
A		M	
B		N	
C		O	
D		P	
E		Q	
F		R	
G		S	
H		TL	
I		TH	
J		U	
K		V	
L		W	