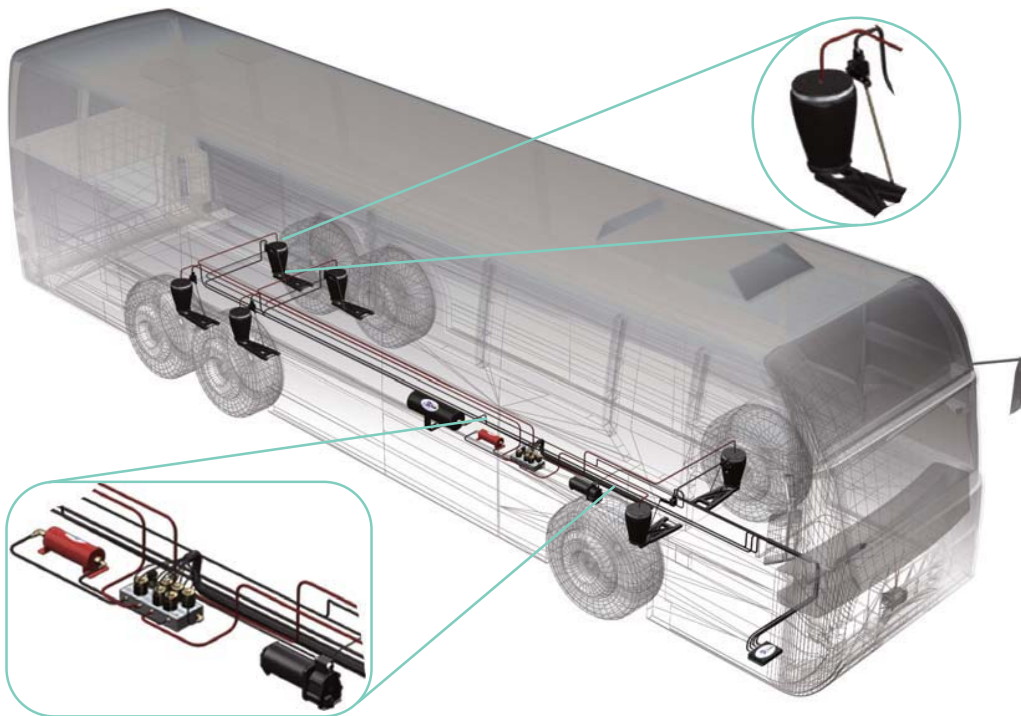


4-Corner, 3-Height IntelliRideTM System with HorizonTM Leveling



Features

Benefits

Safety

Height sensing intelligence recognizes unachievable height	Assists in the prevention of possible entrapment above or below vehicle
System feedback to driver via in-cab diagnostic interface	Easily determine and understand system performance and conditions
Ability to read various signals from vehicle, (ie. Speed, Door, and Brake)	Increased safety measures, including automatically returning vehicle to ride height
Ability to sense load conditions	Improved safety and knowledge of vehicle conditions

Quality and Durability

Desiccant dryer option available	Pneumatic system is free of moisture and its harmful side effects
Design and tested to Automotive OEM specifications	Superior quality standards
Continuously monitored system	Increased safety and reduced air consumption

Design for Manufacturing and Service

Bracketry and component integration designed for manufacturing	Reduced parts count and cost
PC diagnostic and calibration tool	Allows for quick OEM system calibration and easy service diagnosis

Performance

Horizon leveling at the push of a button	Easy leveling of vehicle at campsites and parking lots
Precision kneeling and height adjustment	Conservation of system pressure allows for faster response and increased compressor life
Multiple vehicle heights	Allows for ease of entry or increased ground clearance
Designed specifically towards application and driver scenario	Optimal integration of air spring system and vehicle
Automatic load leveling at each height	Maintain selected height and vehicle stance regardless of load
Communicate with OEM network protocols	Further integration with vehicle systems and message systems

